



Rainwater harvesting in style

CATALOGUE - STYLISH TANKS



MODERN LINE

EXCLUSIVE LINE

CLASSIC LINE

BASIC LINE

GRAF – Setting standards in quality



We love our garden!

For over 50 years, Otto Graf GmbH has been offering highclass plastic products to its customers.

In 1974 GRAF developed its first pioneering range of rainwater harvesting products.

We are the market leader in Germany and Europe for plastic rainwater collectors.

Make some serious savings

Mains water is an expensive commodity – much too expensive to be used for watering plants. Rainwater harvesting is a perfectly available alternative. GRAF offers a range of stylish harvesting rainwater tanks for your garden which are both kind on your purse and extremely pleasing to the eye.

Smart people water their garden with rainwater

For plants, there's no water better than rainwater. It's clean, soft, well-behaved, free and falls from the sky on a regular basis. It's much better than tap water and ground-water, which are cold and often hard. Rainwater tanks are therefore becoming an increasingly common feature in gardens.

A special filter, which filters the precious resources and prevents the tank from overflowing, makes the ideal connection to the downpipe.



Manufacturing certified according to ISO 9001



There's a stylish tank to suit all tastes

Choose your tank from more than 60 sizes, shapes and colours

MODERN LINE

Trendy and modern design
Page 6



EXCLUSIVE LINE

For the highest quality standards
Page 12



CLASSIC LINE

Decorative rainwater tanks
Page 20



BASIC LINE

Essential for outstanding water quality and convenient use
Page 34



Guaranteed GRAF quality



100 % RECYCLABLE

The tank material is 100% recyclable. We attach great importance to durable product design, right from the product development stage. Manufacture is carried out using state-of-the-art production facilities, which ensures that the environmental impact is minimised in the long run.

CHILD-PROOF

With their closed tank shapes or integrated covers, Graf decorative tanks are childproof.

INCLUDING MOUNTING ACCESSORIES

Each tank is supplied together with suitable assembly accessories. These may include an inlet seal, a plant mat for plantable tanks, and wind protection for tanks installed against walls.





TIP
The online product advisors under www.graf-water.com provides a good opportunity to get a quick overview of our stylish tanks. Choose your tank from over 60 sizes, shapes and colors!



UV-STABLE

Plastic tanks are protected against sunlight to ensure a long product life. The impact of UV light is reduced to a minimum.

WEATHER-RESISTANT

A rainwater tank is exposed to weather conditions and extreme temperature fluctuations. Materials adapted to these conditions ensure a long-lasting attractive appearance.

THREADED CONNECTION

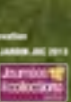
A standard 19 mm (3/4") thread connection makes the tap (accessories) easy to install without drilling. Using a tap or the GRAF Universal Hose Kit (accessories), water extraction couldn't be easier.

Downpipe filter and Accessories

Page 40



Color 2in1 water tank
apple, order no. 326100





MODERN LINE

COLOR YOUR HOME



Color 2in1 water tank


Trendy colors

Color 2in1 water tank
coco, order no. 326105



Color 2in1 water tank
350 l / 92 US gallons
 Height 150 cm | ø above 62 cm
 ø below 50 cm | Weight 15 kg
apple order no. 326100
lemon order no. 326101
tomato order no. 326102
cassis order no. 326103
lavender order no. 326104
coco order no. 326105

TIP
 Design Chrome tap 3/4"
 Order no. 330254
 ● For details please see page 45



- 2 functions: rainwater storage and decoration
- The water tank includes two high-quality brass threads
- Water can be extracted with ease using the tap or universal hose kit (accessories, page 45)



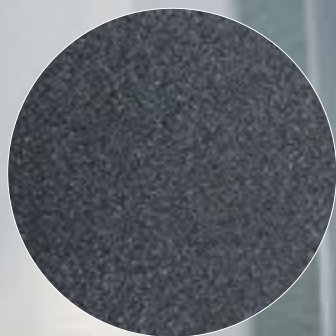
Color 2in1 water tank
 tomato, order no. 326102



Stone 2in1 water tank

In high-quality natural stone look

Stone 2in1 water tank
silver, order no. 326140






Stone 2in1 water tank
lava, order no. 326141

- 2 functions: rainwater storage and decoration
- The water tank includes two high-quality brass threads
- Water can be extracted with ease using the tap or universal hose kit (accessories, page 45)

Stone 2in1 water tank
350 l / 92 US gallons
Height 150 cm | **ø above** 62 cm
ø below 50 cm | **Weight** 15 kg
silver order no. 326140
lava order no. 326141

TIP

Design Chrome tap 3/4"
 order no. 330254
 ● For details please see page 45



Antique amphora | Antique wall amphora | Antique plant amphora

Give your home a mediterranean flair



Antique amphora
terracotta, order no. 211602



**PREMIUM
QUALITY**





Antique plant amphora
 terracotta, order no. 211600

Antique amphora

250 l / 66 US gallons

ø max. 70 cm | **Width above handles** 79 cm

Height 108 cm | **Weight** 15 kg

terracotta order no. 211601

sandstone order no. 211605

darkgranite order no. 211609

Antique amphora

600 l / 158 US gallons

ø max. 92 cm | **Width above handles** 104 cm

Height 142 cm | **Weight** 30 kg

terracotta order no. 211612

sandstone order no. 211613

darkgranite order no. 211614

Antique wall amphora

260 l / 69 US gallons

Width 88 cm | **Depth** 54 cm | **Height** 120 cm

Weight 20 kg

terracotta order no. 211603

sandstone order no. 211607

darkgranite order no. 211611

Antique amphora

360 l / 95 US gallons

ø max. 78 cm | **Width above handles** 88 cm

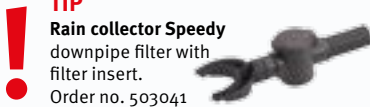
Height 120 cm | **Weight** 20 kg

terracotta order no. 211602

sandstone order no. 211606

darkgranite order no. 211610

TIP

 Rain collector Speedy downpipe filter with filter insert.
 Order no. 503041
 For details please see page 40

Antique plant amphora

Can be used for decoration or simply as a planter

Width 59 cm | **Height** 80 cm

ø max. 52 cm | **Weight** 7 kg

terracotta order no. 211600

sandstone order no. 211604

darkgranite order no. 211608

- Integrated plant cup for an individual design.
- Each tank is unique due to the special production process.
- The water tank includes two high-quality brass threads.
- Water can be extracted with ease using the tap or universal hose kit (accessories, page 45)



Woody wall tank

Rainwater collector with a wooden finish

Woody wall tank
lightwood, order no. 212201



**Woody wall tank****350 l / 92 US gallons****Width** 124 cm | **Depth** 40 cm**Height** 100 cm | **Weight** 40 kg**darkwood** order no. 212200**lightwood** order no. 212201**TIP****Brass drain tap**

Order no. 220011

For details please see page 45



- Each tank is unique due to the special production process.
- The water tank includes three high-quality brass threads.
- Water can be extracted with ease using the tap or universal hose kit (accessories, page 45)



Sunda wall tank

Rainwater collector in a modern wicker finish

Sunda wall tank

300 l / 79 US gallons

Width 80 cm | Depth 40 cm

Height 118 cm | Weight 15 kg

moCCA order no. 212100



TIP

Rain collector Speedy
downpipe filter with
filter insert.

Order no. 503041

For details please see page 40





Rocky wall tank

Rainwater collector in lifelike stone look



Rocky wall tank
darkgranite, order no. 326130

 **PREMIUM
QUALITY**

5
years
warranty

**Rocky wall tank****400 l / 105 US gallons****Width** 120 cm | **Depth** 40 cm**Height** 100 cm | **Weight** 40 kg**darkgranite** order no. 326130**redstone** order no. 326131**sandstone** order no. 326132**TIP****Chrome drain tap**

Order no. 330282

For details please see page 45



- Each tank is unique due to the special production process.
- The water tank includes two high-quality brass threads.
- Water can be extracted with ease using the tap or universal hose kit (accessories, page 45)



Rainwater amphora | Rainwater wall amphora

Mediterranean-style rainwater storage tank

Rainwater amphora
terracotta, order no. 211701



TIP

Brass drain tap

Order no. 220011

For details please see page 45





Rainwater wall amphora
terracotta, order no. 211705

Rainwater amphora

300 l / 79 US gallons

ø max. 68 cm | Height 129 cm

ø cover opening 18 cm | Weight 12 kg

terracotta order no. 211701

sand order no. 211703

Rainwater amphora

500 l / 132 US gallons

ø max. 79 cm Height 150 cm

ø cover opening 18 cm | Weight 17 kg

terracotta order no. 211702

sand order no. 211704

Rainwater wall amphora

350 l / 92 US gallons

Width 79 cm | Depth 55 cm

Height 150 cm | ø cover opening 18 cm

Weight 21 kg

terracotta order no. 211705



Column tank | Column wall tank

Elegant and space-saving

Column tank

330 l / 87 US gallons

Ø max. 59 cm | Height 161 cm

Ø cover opening 18 cm | Weight 14 kg

sand beige order no. 326530

stone grey order no. 326531

Column tank

500 l / 132 US gallons

Ø max. 73 cm | Height 193 cm

Ø cover opening 18 cm | Weight 25 kg

sand beige order no. 326510

stone grey order no. 326512

Column tank

1.000 l / 264 US gallons

Ø max. 91 cm | Height 222 cm

Ø cover opening 18 cm | Weight 44 kg

sand beige order no. 326505

stone grey order no. 326506

Column tank

2.000 l / 528 US gallons

Ø max. 118 cm | Height 223 cm

Ø cover opening 18 cm

Weight 75 kg

sand beige order no. 326540



Column wall tank
stone grey, order no. 326520

Column wall tank

350 l / 92 US gallons

Width 73 cm | Depth 48 cm

Height 193 cm | Ø cover opening 18 cm

Weight 25 kg

sand beige order no. 326526

Column wall tank

550 l / 145 US gallons

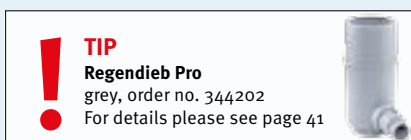
Width 88 cm | Depth 52 cm

Height 212 cm | Ø cover opening 18 cm

Weight 37 kg

sand beige order no. 326521

stone grey order no. 326520



TIP

Regendieb Pro

grey, order no. 344202

For details please see page 41



Column tank
sand beige, order no. 326510



2in1 water tank with plant cup

The modern way of dual-function

2in1 water tank
taupe, order no. 326116



2in1 water tank
300 l / 79 US gallons
Ø max. 62 cm | Height 145 cm
Weight 16 kg
mocca order no. 326109
zink grey order no. 326111
taupe order no. 326116

TIP

Design Chrome tap 3/4"
Order no. 330254
For details please see page 45



- Integrated plant cup for an individual design.



Barrica rain barrel

Rustic charm of wooden wine barrel




 **PREMIUM
QUALITY**

5
years
warranty



Barrica rain barrel
260 l / 68 US gallons
Ø max. 65 cm | Height 93 cm
Weight 9,5 kg
brown order no. 212130

TIP
Rain collector Speedy
downpipe filter with
filter insert
order no. 503041
For details please see page 40



- Rainwater tank shaped like a rustic wooden barrel.
- Removable lid with child-proof lock.
- Water can be extracted with ease using the tap or universal hose kit (accessories, page 45)



Elegance wall tank

Timeless and stylish

Elegance wall tank
sand beige, order no. 212302





Elegance wall tank
400 l / 105 US gallons
Width 60 cm | Depth 60 cm
Height 180 cm | Weight 18 kg
stone grey order no. 212301
sand beige order no. 212302

TIP
Design Chrome tap 3/4"
Order no. 330254
● For details please see page 45




Terranova wall tank

Simple stucco-optic



TIP
Rain collector Rapido
downpipe filter with
filter insert.
Order no. 503070
For details please see page 40



Terranova wall tank
275 l / 72 US gallons
Width 80 cm | Depth 40 cm
Height 105 cm | Weight 13 kg
graphite grey order no. 212120



Wall tank

In natural stone character

CLASSIC LINE



Wall tank
300 l / 79 US gallons
Width 120 cm | Depth 40 cm
Height 100 cm | Weight 40 kg
sand beige order no. 326121

- Water can be extracted with ease using the tap or universal hose kit (accessories, page 45)



Water extraction and stone fountains

Practical and stylish



Granit water extraction unit
dark granite, order no. 356025

Granit water extraction unit
Height 100 cm | **Column** 13 x 13 cm
Base 25 x 25 cm | **Weight** 5 kg
dark granite order no. 356025
light granite order no. 356026

- Including chrome water tap 19 mm (3/4").
- Option of connecting from below using 19 mm (3/4") hose connection.
- Simple installation – holes already in base.
- Particularly UV-stable and weather-resistant



Rondo water extraction unit
Ø Column 12 cm | **Base** 19 cm
Height 90 cm | **Weight** 3 kg
stone grey order no. 356021



Wood water extraction unit
light wood, order no. 356031

Wood water extraction unit
Height 100 cm | **Column** 13 x 13 cm
Base 25 x 25 cm | **Weight** 5 kg
dark wood order no. 356030
light wood order no. 356031





Stone fountain Venezia

Height 90 cm | **Width** 44 cm | **Depth** 52 cm

Height basin 15 cm | **Weight** 8 kg

light granite order no. 356100

red stone order no. 356102



TIP

Ideal as an additional extraction point for rainwater harvesting systems

- Includes 19 mm (3/4") nostalgic tap for conveniently accessing water.
- Options for connecting from below using 19 mm (3/4") hose connection.
- Particularly UV-stable and weather-resistant
- Pre-assembled and ready for connection



Stone fountain Roma

Height 100 cm | **Width** 54 cm | **Depth** 54 cm

Height basin 25 cm | **Weight** 10 kg

light granite order no. 356101

red stone order no. 356103



Timeless water butt

Water butt Lanzarote

Inclusive lid, drain tap and child protection

Capacity [l]	Capacity [US gallons]	Ø max. [cm]	Height [cm]	graphite grey order no.
300	79	82	86	500222

Water butt stand

suitable for [l]	suitable for [US gallons]	Height [cm]	graphite grey order no.
300	79	33	502015



Water butt Toskana

Inclusive lid, drain tap and child protection

Capacity [l]	Capacity [US gallons]	Ø max. [cm]	Height [cm]	terracotta order no.
300	79	82	86	500216

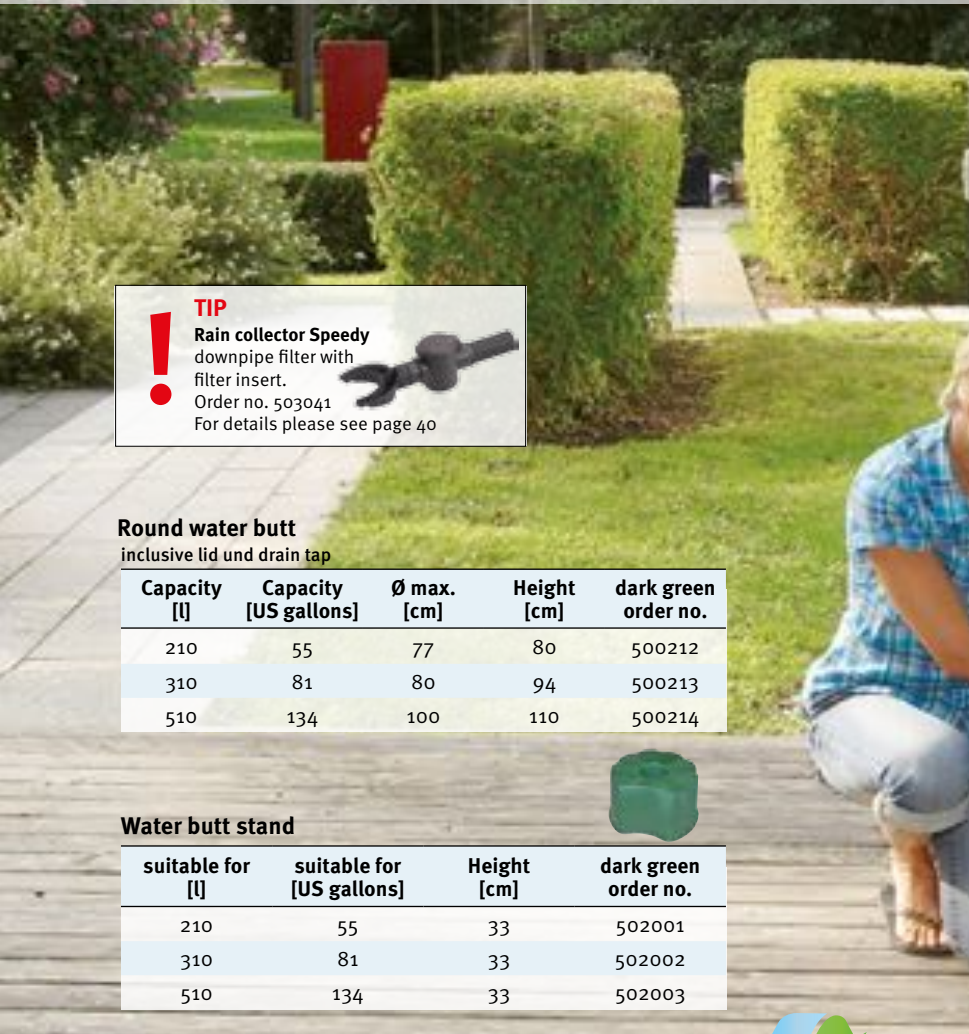
Water butt stand

suitable for [l]	suitable for [US gallons]	Height [cm]	terracotta order no.
300	79	33	502010




Classic water butt

BASIC LINE



TIP
Rain collector Speedy
 downpipe filter with
 filter insert.
 Order no. 503041
 For details please see page 40



Round water butt
 inclusive lid und drain tap

Capacity [l]	Capacity [US gallons]	Ø max. [cm]	Height [cm]	dark green order no.
210	55	77	80	500212
310	81	80	94	500213
510	134	100	110	500214

Water butt stand

suitable for [l]	suitable for [US gallons]	Height [cm]	dark green order no.
210	55	33	502001
310	81	33	502002
510	134	33	502003



Square water butt

inclusive lid and drain tap

Capacity [l]	Capacity [US gallons]	Width [cm]	Depth [cm]	Height [cm]	dark green order no.
203 ⁽¹⁾	53	70	70	82	501205
300 ⁽²⁾	79	80	66	92	501206
520 ⁽²⁾	137	124	80	93	501207

⁽¹⁾ Without metal bracing

⁽²⁾ Including metal bracing for increased stability



Water butt stand

suitable for [l]	suitable for [US gallons]	Height [cm]	dark green order no.
203	53	33	502001
300	79	33	502004
520	137	33	502005

Alternative water butt | heavy version



Square water butt heavy version
inclusive lid and drain tap

Capacity [l]	Capacity [US gallons]	Width [cm]	Depth [cm]	Height [cm]	dark green order no.
210	81	81	63	69	501201
400	96	96	75	84	501202
650	126	126	100	87	501203

Water butt Sahara

inclusive lid and drain tap

Capacity [l]	Capacity [US gallons]	Width [cm]	Depth [cm]	Height [cm]	Sand beige order no.
300	79	80	66	91	501209
520	137	125	80	93	501208

Stand for water butt Sahara

suitable for [l]	suitable for [US gallons]	Height [cm]	Brown order no.
300	79	33	502008
520	137	33	502009

Top-tank | Garden-tank | Garden-tank Classico

BASIC LINE



Top-tank
dark green, order no. 323001

Top-tank

1.300 l / 343 US gallons
Ø max. 118 cm | Height 156 cm
Weight 30 kg
dark green order no. 323001

- Reasonably priced solution for above-ground rainwater harvesting
- Extremely stable
- Can be extended in any way
- Preformed connections: 2 x DN 70, 2 x DN 100 and 1 x DN 200 suitable for standard high-temperature wastewater pipes

Accessory Top-tank

Extention set DN 70
 Consisting of 2 special seals (without drill and connecting pipe)
 order no. 322010

Suction fitting 1"
 without hose | afloat
 order no. 330054

Drill DN 70
 with mounting shank
 order no. 202002



Garden-tank
dark green, order no. 326010

Garden-tank

500 l / 132 US gallons
Width 88 cm | Depth 72 cm
Height 108 cm | Ø Lid 38 cm
Weight 23 kg
dark green order no. 326022

Garden-tank

750 l / 198 US gallons
Width 88 cm | Depth 72 cm
Height 161 cm | Ø Lid 38 cm
Weight 39 kg
dark green order no. 326010

Garden-tank

1.000 l / 264 US gallons
Width 105 cm | Depth 77 cm
Height 174 cm | Ø Lid 38 cm
Weight 52 kg
dark green order no. 326011

Garden-tank

2.000 l / 528 US gallons
 Set consists of 2 x 1.000 l tank, including connection kit
dark green order no. 326015

- Suited for garden and cellar installation.
- Can be extended in any way.
- Convenient cleaning thanks to large cover 38 cm.
- Cover with child-proof lock.
- Transparent universal hose kit, can also be used as level indicator.



Garden-tank Classico
dark green, order no. 326030

Garden-tank Classico

650 l / 171 US gallons
Width 80 cm | Depth 60 cm
Height 192 cm | Ø Lid 18 cm
Weight 28 kg
dark green order no. 326030

Garden-tank Classico

1.300 l / 343 US gallons
 Set consists of 2 x 650 l tank, including connection kit
Width 165 cm | Depth 60 cm
Height 192 cm | Ø Lid 18 cm
Weight 56 kg
dark green order no. 326035

Garden-tank Classico

2.600 l / 686 US gallons
 Set consists of 4 x 650 l tank, including connection kit
Width 335 cm | Depth 60 cm
Height 192 cm | Ø Lid 18 cm
Weight 112 kg
dark green order no. 326036

- Suited for garden and cellar installation.
- Can be extended in any way.
- 3/4" inner thread for simple fitting of the tap

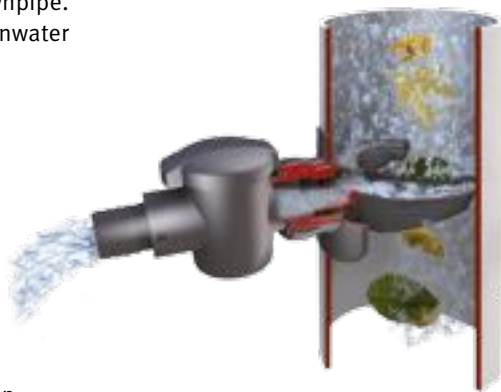
Connection made easy:

Installation and connection of a GRAF decorative tank

DOWNPIPE FILTER

Downpipe filters reliably filter dirt from rainwater, thus ensuring optimal water quality. The water butt cannot overflow due to an overflow stop. The excess water simply flows back into the downpipe. In the winter, the inlet to the rainwater tank is easy to stop.

The downpipe filter ensures optimal water quality



The water butt fills up automatically and overflowing of the full water butt is prevented.



Easy switching from summer to winter use.



VIDEO TIP
How does a downpipe filter work?
www.graf-water.com

Downpipe filter

Page 40



The ground must be level for the installation of a tank.



The downpipe is connected using a downpipe filter.



A hole is drilled in the tank for the installation of the inlet seal.

Tank accessories

Page 45



DRAIN TAP

Water extraction is made extremely convenient by the GRAF tap (accessories). It is screwed into the tank's standard thread connection without the need for drilling.



GRAF UNIVERSAL HOSE KIT

The GRAF universal hose kit (accessories) provides an additional extraction option. It is used to leverage the tank's full volume, and also as a fill level indicator. The hose kit (accessories) is either screwed into the tank's convenient connection or mounted on to the tank using a drill and a seal.



The integrated plant cup enables an individual design.



Your decorative tank is now perfectly installed and connected.

GRAF TV
www.graf-water.com



You will find the video on our website www.graf-water.com

Rain collector *Speedy* and Rapido

The installation champions

Rain collector *Speedy*

Height 9 cm | Ø 6 cm

Order no. 503041

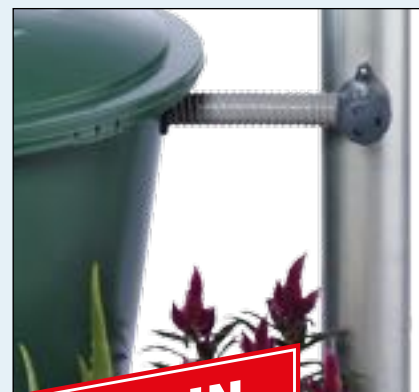


- No removal of the downpipe for the installation
- Distance between downpipe and wall is irrelevant
- Downpipe sizes 70 – 100 mm (DN 70 | DN 100)
- Including core drill, connecting hose, connection seal

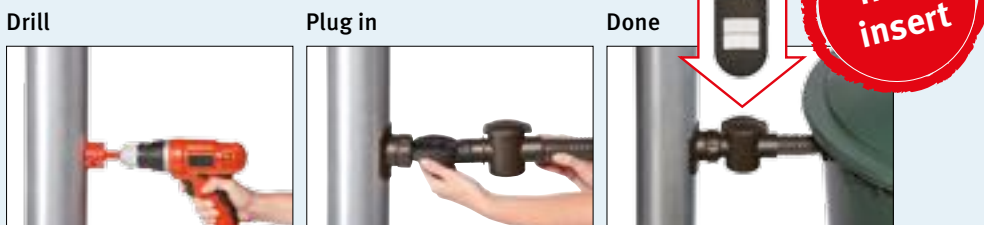
Rain collector *Rapido*

Height 9 cm | Ø 6 cm

Order no. 503070



INSTALLED IN 5 MINUTES



Overview downpipe filter



	Speedy Page 40	Rapido Page 40	Quattro Twist Page 44	Quattro Page 44
Downpipe sizes	70-100 mm	70-100 mm	65 x 65 mm	65 x 65 mm
Overflow stop function	•	•	•	•
Max. roof area	80 m ²	80 m ²	80 m ²	50 m ²
Rainwater butt connection	32 mm (1 1/4")	32 mm (1 1/4")	25 mm (1")	19 mm (3/4")
Required distance between downpipe and wall	-	-	10 mm	8 mm
Switch for summer / winter operation	•	•	•	•
Filter insert	plastic sieve	plastic sieve	plastic sieve	plastic sieve

Regendieb Pro

The slim version for big roof areas

**FOR ROOF SURFACES
UP TO 200 m²**

Regendieb Pro

Height 25,5 cm | Ø 13 cm
grey order no. 344202
brown order no. 344203

- New filter principle with greater filter area
- Slim design – only 16 mm distance between downpipe and outside wall
- Turnable filter body for flexible connection
- Downpipe sizes 70 – 100 mm (DN 70 | DN 100)
- Including connection seal



TIP
Connection set Flex-Comfort
 z.B. grey order no. 220019
 For details please see page 46



Regendieb Pro
Page 41



Regendieb de luxe
Page 42



Regendieb
Page 42



Filling device de luxe
Page 43



Filling device
Page 43



Foliage guard
Page 43

70-100 mm	70-100 mm	70-100 mm	70-100 mm	70-100 mm	70-100 mm
•	•	•	•	•	•
200 m ²	100 m ²	80 m ²	80 m ²	50 m ²	80 m ²
DN 50, 32 mm (1 1/4")	DN 70 DN 50, 32 mm (1 1/4")	DN 70 DN 50, 32 mm (1 1/4")	32 mm (1 1/4")	25 mm (1")	-
16 mm	38 mm	25 mm	25 mm	16 mm	5 mm
•	•	•	•	•	•
stainless steel sieve	stainless steel sieve	stainless steel sieve	plastic sieve	plastic sieve	plastic sieve

Regendieb de luxe | Regendieb

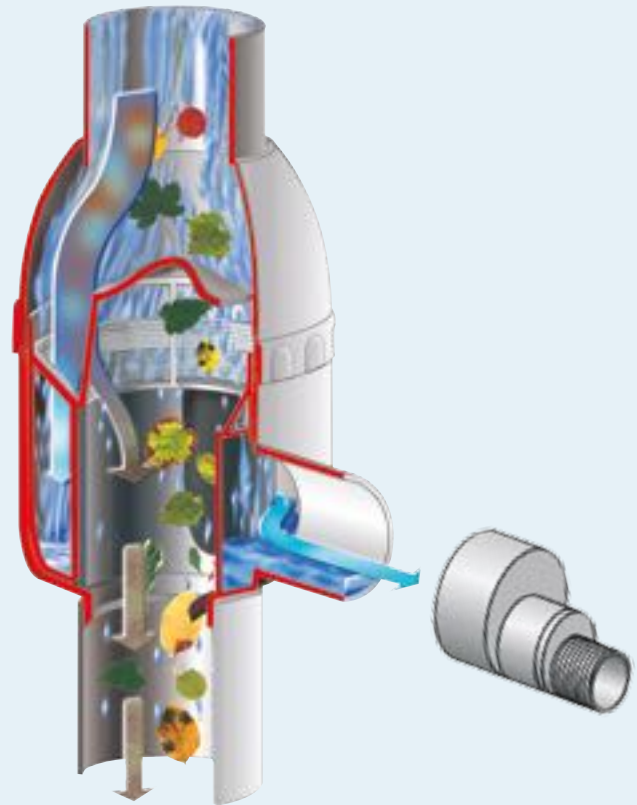
Regendieb de luxe

Height 30 cm | \varnothing 17,5 cm

grey order no. 344104

brown order no. 344105

- Stainless steel sieve
- High water yield (approx. 90%)
- Downpipe sizes 70 – 100 mm (DN 70 | DN 100)
- Including connection seal



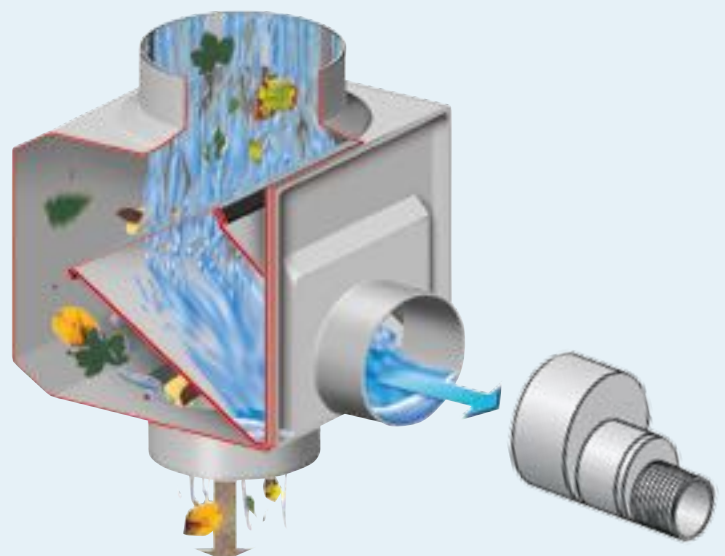
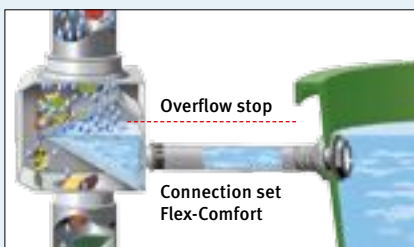
Regendieb

Height 25 cm | **Width** 15 cm | **Depth** 20 cm

grey order no. 343011

brown order no. 343010

- Stainless steel sieve
- Downpipe sizes 70 – 100 mm (DN 70 | DN 100)
- Including connection seal



Filling device | Filling device de luxe

Foliage guard

Filling device

Height 11,5 cm | **Ø** 13 cm
grey order no. 503011
brown order no. 503010

- Downpipe sizes 70 – 100 mm (DN 70 | DN 100)
- 25 mm (1") side outlet, with hose and screw connection



Filling device de luxe

Height 15 cm | **Ø** 15 cm
grey order no. 503015
brown order no. 503014

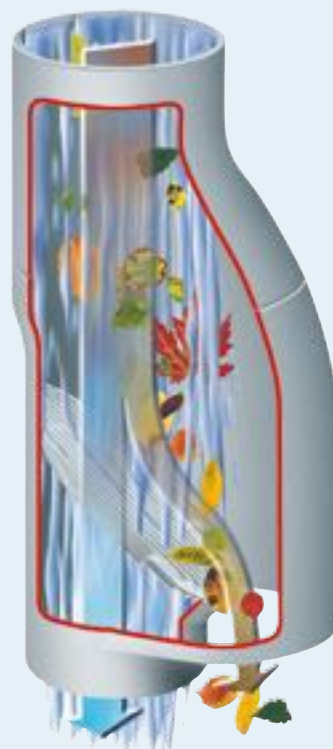
- Downpipe sizes 70 – 100 mm (DN 70 | DN 100)
- 32 mm (1 1/4") side outlet, with hose and screw connection



Foliage guard

Height 35 cm | **Width** 11 cm | **Depth** 18 cm
grey order no. 346013
brown order no. 346011

- Reliably traps leaves and large contaminants, preventing the downpipe from getting blocked
- Ideal in areas with a lot of leaves e.g. as pre-filter
- Self-cleaning and low-maintenance
- Convenient removal of screen area without having to dismantle the filter for cleaning or before frost period
- Can be easily switched from summer to winter use
- Downpipe sizes 70 – 100 mm (DN 70 | DN 100)



Quattro | Quattro Twist

Quattro Twist

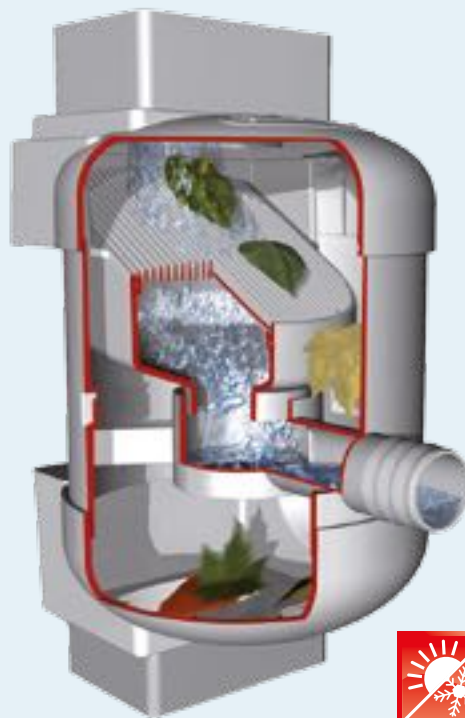
Height 24,5 cm | **Width** 16 cm |

Depth 20 cm

brown order no. 503051

beige order no. 503052

- Suitable for oval and square downpipes
- Easy to switch from summer to winter operation
- High water yield (approx. 90 %)
- With internal sieve
- Turnable 90 °, patented
- 1" side outlet



Quattro

Height 11,9 cm | **Width** 10,3 cm |

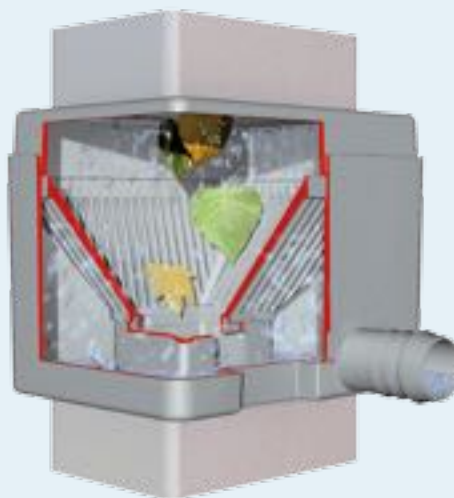
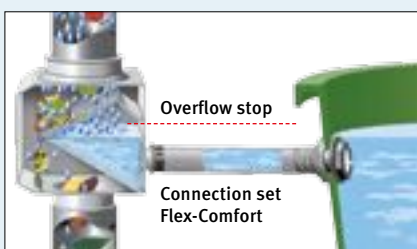
Depth 13,3 cm

grey order no. 503060

brown order no. 503061

beige order no. 503062

- Suitable for oval and square downpipes
- Easy to switch from summer to winter operation
- High water yield (approx. 90 %)
- ¾" side outlet
- With internal sieve



Accessory

For water butts and overground water tanks



Design chrome tap 3/4"

This stylish chrome tap is suitable for all tanks of Modern line. Chrome polished, size 19 mm (3/4"), incl. teflon sealing tape. order no. 330254



Tap

A must for all stylish tanks! Suitable for all products of Classic and Exclusive Line, socket size 19 mm (3/4"), incl. teflon sealing tape

brass order no. 220011

chrome order no. 330282



Tap with tank screw

Connection for Herkules, top and garden tank, size 19 mm (3/4"), incl. teflon sealing tape.

brass order no. 330044



Tap for water butts

Water butt tap with sealing ring and lock nut, size 19 mm (3/4") order no. 504011



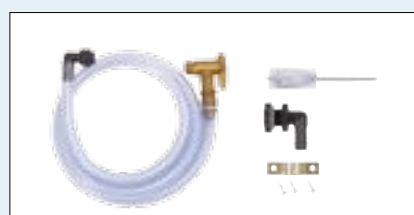
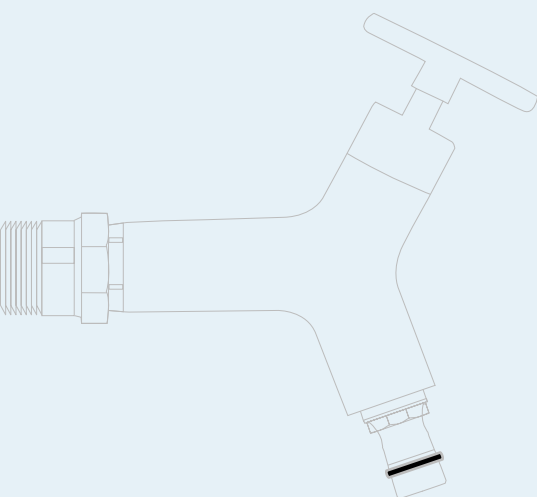
Aqua-Quick plastic tap

with brass finish, suited to all above-ground tanks and water butts, socket size 19 mm (3/4") order no. 504040



Aqua-Quick 4-part plastic tap kit

So that water can run faster! Plastic tap with brass finish in complete kit consisting of: tap with seal and screw connection, connecting pieces for standard hose fitting, hose 13 mm (1/2") and hose 19 mm (3/4"), union nuts and seals order no. 504044



Water butt connection kit

Kit for complete water extraction and water level display for above-ground rain-water storage tanks. Consisting of 2.15 m flexible hose, extraction tap and various connection options. Suited to all storage tanks.

order no. 220015

Accessory

For water butts and overground water tanks



Connection set Flex-Comfort

Extra-long and extremely flexible connection kit (40 cm) to connect rainwater tanks as well as Regendieb, Regendieb de luxe and Regendieb Pro. Includes extensive installation accessories.

Scope of supply:

Flexible 40 cm connection hose, core drill and hose connector; with 2 x connection fittings, inlet seals and hose clips.

grey order no. 220019

brown order no. 220020



Tap connection

With inside and outside thread, made of plastic, suitable for 19 mm (3/4") tap with outside thread and other taps.
order no. 504025



Overflow bend

With hose connection

Size 32 mm (1 1/4")

order no. 330041

Size 51 mm (2")

order no. 330043



Child-proof lock | wind protection

For water butt cover (reusable), 4 items
order no. 504016



Water butt connection kit

Consisting of two hose connections with lock nut and 25 cm hose.

Size	order no.
19 mm (3/4")	504017
19 mm (3/4") with drill	504018
32 mm (1 1/4")	330031
51 mm (2")	330040

Underground tanks by GRAF

Quality products, Innovative solutions

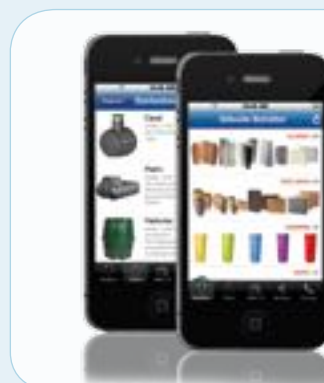


Save drinking water

This is the slogan in times of ever increasing water prices. Rainwater harvesting systems from GRAF are the solution with which you can reduce your drinking water consumption by up to at least 50%. Thanks to up-to-date technology and complete systems, which meet all your need in terms of convenience and reliability.

Rainwater harvesting...

- Conserves ground water resources
- Reduces the energy consumption needed for the purification of drinking water
- Unburdens wastewater treatment plants and canal networks, since peak levels during strong rain falls can be extenuated or delayed. ...is ecologically sound.



Save water with your smartphone

- Calculate your annual savings.
- Receive useful tips regarding installation and maintenance.
- Receive an overview on the complete product range.





www.graf-water.com

Your local distributor:

GreenScape Ltd.

For Landscape & Geosynthetic Engineering

Contact Details:

Malik Mahmood Ring Road, Opposite to German Village
Sulaymaniyah
Kurdistan Region
Iraq

Tel: +964 (0) 53 3195567
Mob: +964 (0) 770 123 3588
Mob: +964 (0) 770 191 6556
Mob: +964 (0) 750 335 0735
Email: info@greenscape-ltd.com
Home Page: www.greenscape-ltd.com



Prices:

A price list with our export conditions is available on request.

Warranty clause:

The warranty mentioned in this brochure only refers to the tank in question and not to the accessories. Within the warranty period we grant free replacement of the material. Further benefits are excluded. Pre-condition for warranty benefits are proper handling, assembly and installation according to the mounting guidelines.

Over and above the statutory regulation, GRAF is lengthening the warranty period for a number of underground tanks. This relates to proper handling, assembly and installation in accordance with the installation manual, as well as leakproofness, usability and static safety. The prerequisites of this are competent assembly and operation in accordance with the requirements, namely the currently valid installation and operating instructions and the prevailing standards.

N.B. Protect tanks from frost when installed aboveground! In case of groundwater installation, please contact us for further information previous to the purchase!

For all indications of measurements in this brochure we reserve a tolerance of +/- 3%. The useful volume of the tanks may be up to 10% lower than the tank capacity, according to the connecting option.

Technical modifications and further development of the different products are subject to change. Errors excepted.

For all our offers and conclusions of contract are only valid our General Terms and Conditions of Business dated 01/03/2010 which we will send to you on request.

Otto Graf GmbH
Kunststofferzeugnisse
Carl-Zeiss-Straße 2-6
D-79331 Teningen

Phone: +49(0)76 41/5 89-0
Fax: +49(0)76 41/5 89-50
mail@graf.info
www.graf-water.com

© Otto Graf GmbH, Teningen, Germany
Reproduction – also in extracts –
only with written authorisation
Art.-Nr. 960305/EN

Photo copyright:
Fotolia.com:
© SSilver (Page 7)